

Giv-Bat 5.2



Remote Firmware

Control and monitor your Smart System on the move via our GivEnergy Monitoring App and Portal.



IP65 Rating

Our IP65 rated enclosure gives protection against water and dust. Ideal for lofts and outdoor installation.



10 Year Warranty

Supplied with a full manufacturers warranty, our dedicated UK support team are on hand to help you should any issues arise.



Retrofit Compatible

Fit your new battery onto an existing system and start enjoying the benefits of our GivEnergy Smart System.

The 5.2kWh battery pack sits alongside our AC Coupled or Hybrid Inverter so that you can store energy from the grid or excess generation.

Utilising lithium iron phosphate, our batteries are extremely safe and can be installed in a wide range of locations. Heavy duty lifting handles make for easier installation, and can be wall mounted or floor standing. Non flammable and recyclable.

Dimensions (HxDxW)
515 x 205 x 480 (mm)

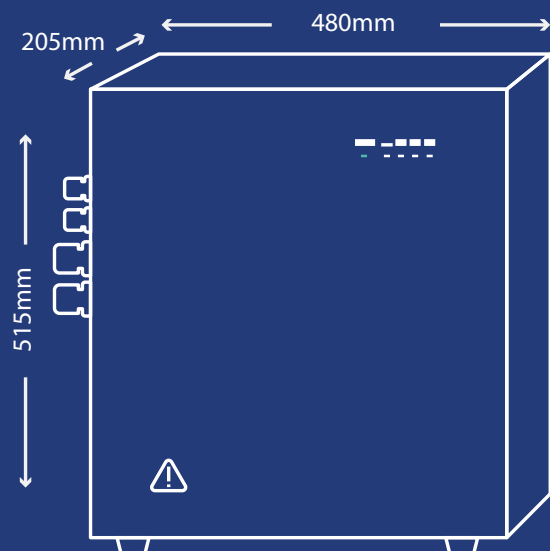
Weight
54 Kg

Depth of Discharge
90 %

Capacity
5.2 kWh / 102 Ah

MODEL	2.6	5.2	8.2
Specifications			
Capacity	2.6 kWh / 51 Ah	5.2 kWh / 102 Ah	8.2 kWh / 160 Ah
Voltage	51.2V DC		
Current	30A Charge / Discharge	60A	85A
Technology	LiFePO ₄ Cell		
IP Grade	IP65		
BMS	Robust Multi Point Monitoring BMS Pre Installed		
Life Cycling (90% DOD, 25°C)	10 Years		
Operating Temperature	-10°C - 55°C		
Storage Temperature	-30°C - 60°C		
Warranty BTT	26MWh / 10 Years	52MWh / 10 Years	Unlimited Cycles / 10 Years
Standard	UN 38.3, IEC61000		
Weight	32 Kg	54 Kg	94 Kg
ELECTRICAL PARAMETERS			
Operating Voltage Range	43.2V - 58.5V DC		
Maximum Charging Voltage	59V DC		
Max Charging / Discharging Current	30A / 30A	60A / 60A	85A / 85A
Network Interface	RS485		
Communication Protocols	Modbus		
Advantages	Stackable, BMS Upgradeable, IP65		
Depth of Discharge	90%	90%	100%

Giv-Bat 5.2 Dimensions



AC Coupled Inverter



Remote Firmware

Control and monitor your Smart System on the move via our GivEnergy Monitoring App and Portal.



Flexible Rate Tariff

Charge from the grid at off-peak times where energy is cheaper, and discharge at peak times where energy is more expensive.



10 Year Warranty

Supplied with a full manufacturers warranty, our dedicated UK support team are on hand to help you should any issues arise.



New Solar Installations

Replace your old storage system with a brand new Smart System and gain the benefits of renewable energy.

The GivEnergy AC Coupled Inverter works as a standalone energy storage system or alongside solar, hydro, or wind-turbine to store excess energy..

Make the most of your split rate energy tariffs (e.g. Economy 7) by charging the battery at off-peak times when energy rates are cheaper and discharging during what would be the more expensive periods to reduce your energy bill.

Dimensions (HxDxW)
290 x 260 x 480 (mm)

Weight
19 Kg

Connectivity
WiFi or 3G Connectivity

Variants
3kW Charge & Discharge Rate

MODEL	AC Coupled
Input Data (DC)	
Nominal AC Output Power	3000W
Max AC Apparent Power	3000VA
Max Output Current	15A
AC Nominal Voltage; Range	202V - 262V
AC Grid Frequency; Range	50 Hz + 5 Hz
Power Factor at Rate Power	1
Power Factor	0.9 Leading...0.9 Lagging
THDI	<3%
AC Connection	Single Phase (multiple units can be installed for 3 phase)
Battery Power	
Nominal AC Output Power	3000W
Max Charging / Discharging Current	60A / 60A
Backup Output	
AC Range	3000VA
AC Grid Frequency Range	3600VA, 10s
Power Factor at Rated Power	230Vac = 2%, 50 Hz (60 Hz Optional) 0.28. THDV<3% (Linear Load)
Efficiency	
Max Efficiency	97.10%
Euro - ETA	96.5%
Protection Devices	
Output Over Current Protection	Yes
Output Over Voltage Protection Varistor	Yes
Ground Fault Monitoring	Yes
Grid Monitoring	Yes
Max Inrush Current	30A Peak
Max Output Fault Current	40A Peak
Max Output Overcurrent Protection	25A RMS
All Pole Sensitive Leakage Current Monitoring	Yes
General Data	
Weight	19 Kg
Operating Temperature Range	-25°C to 60°C with Derating above 45°C
Consumption: Operating (Standby) / Night	<5W / <0.5W
Topology	Transformerless
Cooling Concept	Natural
Environmental Protection Rating	IP65
Features	
PV Monitoring	CT / Meter
Grid Monitoring	Meter
Battery Connection	Screw Terminal
AC Connection	Screw Terminal
Display	LED
Interfaces: WiFi / USB / GPRS / RS485 / 4G	Opt / Yes / Opt / Yes / Opt
Warranty: 5 Years / 10 Years	Yes / Opt
Certificates and Approvals	
AA4777, VDE-AR-N4105, VDEO126, G98, G99, IEC2109-1-2, IEC62040, EN61000-6-2, EN61000-6-3, EN50549, G100	