

Monocrystalline Photovoltaic Module »



# MEPV 108 HALF-CUT ICON

BLACK - STANDARD - BICOLOUR »  
400/410/415/420 Wp

## QUALITY »



**MBB technology**  
Better light absorption



**M10 Wafer**  
Ultra-high power



**Long durability**  
80% at the 30th year



**Fire resistance**  
Maximum protection



**Avoid losses**  
Better shading tolerance



**Efficiency**  
415Wp - 420Wp



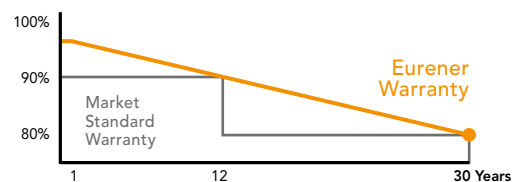
1997 to 2022  
**25<sup>TH</sup>**  
ANNIVERSARY

\*\*\* EUROPEAN QUALITY

## WARRANTIES »

**20** YEARS PRODUCT WARRANTY  
+5 years for Premium Partners

**30** YEARS PERFORMANCE WARRANTY  
Linear Warranty



## CERTIFICATES »



## TECHNICAL FEATURES »

### Eurener\_MEPV 108\_HALF-CUT ICON\_400-420Wp\_2022EN

#### FRAME

Black / Silver anodized aluminium

Robust and resistant to corrosion

#### CONNECTION BOX AND PROTECTIONS

Sealed, robust and wide for heat dissipation

IP67/IP68 according to IEC 60529

Diodes by-pass built-in (3/6)

Connector MC4 compatible

Application Class A. Safety Class II

Cables 1000 mm ( $\pm 20\%$ ) length and 4 mm<sup>2</sup> section

#### FRONTAL

3,2 mm thick tempered glass with high strength and ARC

Textured, extra-clear with low iron content

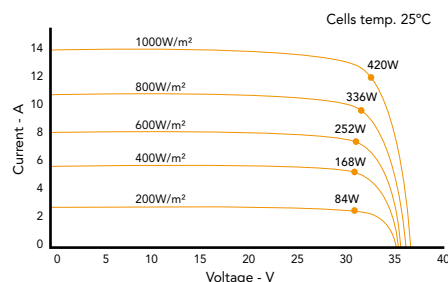
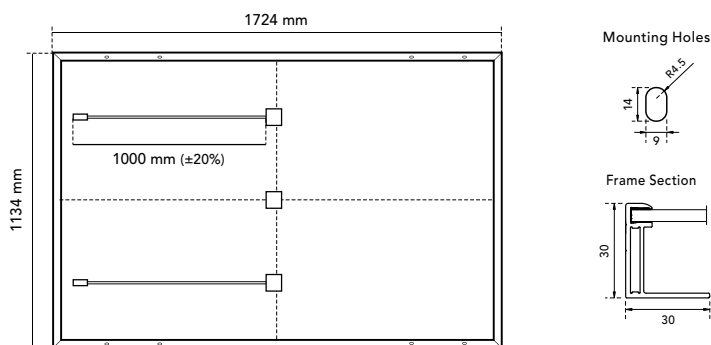
Frontal load (snow) 5400 Pa | Back load (wind) 2400 Pa

#### SOLAR CELLS

108 [2x (9x6)] cells monocrystalline silicon

#### WEIGHT AND DIMENSIONS

21,5 Kg | 1724 x 1134 x 30 mm ( $\pm 1\%$ ) | Pack: 962/936 pcs-truck



## ELECTRIC DATA »

BLACK - STANDARD - BICOLOUR	MEPV 400	MEPV 410	MEPV 415	MEPV 420
STC: 1000 W/m <sup>2</sup> , module temperature 25°C, AM 1,5				
Nominal power. Pmax	400 Wp	410 Wp	415 Wp	420 Wp
Max. power tolerance. Pmax	0 / +5 W	0 / +5 W	0 / +5 W	0 / +5 W
Area of the module	1,96 m <sup>2</sup>			
Module efficiency	20,46 %	20,97 %	21,23 %	21,48 %
Isc	13,79 A	13,95 A	14,02 A	14,10 A
Voc	37,07 V	37,32 V	37,45 V	37,57 V
Imp	12,90 A	13,04 A	13,13 A	13,21 A
Vmp	31,01 V	31,45 V	31,61 V	31,81 V
NOCT: 800 W/m <sup>2</sup> , ambient temperature 20°C, AM 1,5				
Nominal power. Pmax	301,96 W	309,98 W	313,85 W	318,35 W
Isc	11,03 A	11,16 A	11,22 A	11,30 A
Voc	34,88 V	35,23 V	35,37 V	35,54 V
Imp	10,32 A	10,43 A	10,50 A	10,56 A
Vmp	29,26 V	29,72 V	29,89 V	30,15 V
Operating parameters. Temperature coefficients				
Maximum voltage	1000 - 1500 V			
Maximum series fuse rating. Ir	25 A			
$\alpha$ Isc	0,045 % / °C			
$\beta$ Voc	- 0,275 % / °C			
$\gamma$ Pmax	- 0,35 % / °C			
Temperature range	- 40°C ~ + 85 °C			
NOCT	45 $\pm$ 2 °C			

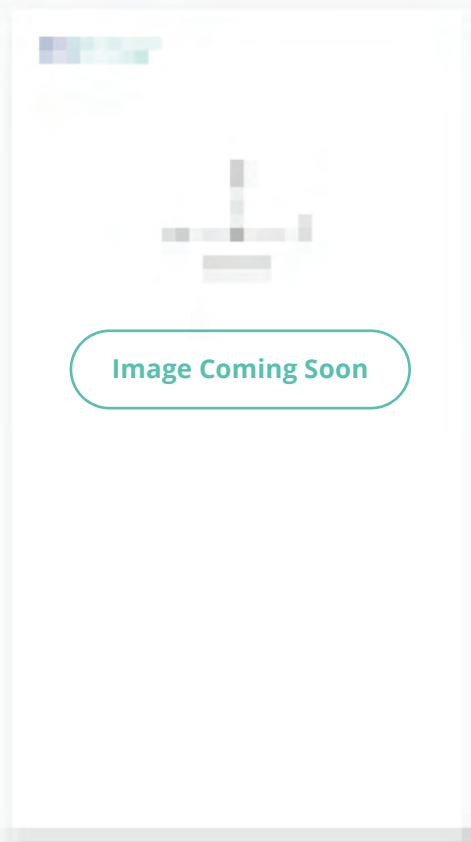
NOTE: Read the instruction manual of this product and follow the indications STC. Values are valid for: 1000W/m<sup>2</sup>, AM 1,5 and cells temperature of 25°C. Measurement tolerance +/-3% (AAA Solar simulation -IEC 60.904-9-). All the information of this brochure may be amended without notice by Eurener. Eurener\_MEPV 108\_HALF-CUT ICON\_400-420Wp\_EN\_SEP2022

1997 to 2022  
**25**  
TH  
ANNIVERSARY

[www.eurenergroupp.com](http://www.eurenergroupp.com)  
contact@eurenerworld.com  
+34 960 045 515  
Calle Colón, 1-23  
46004, Valencia. Spain

### 25 years manufacturing a better world

Since 1997 our main purpose has been to supply quality and long-lasting photovoltaic modules that allow us and future generations, to continue generating clean energy to take care of our planet.



Primarily working as an on grid system, the All in One can deliver 7.2kW of peak power into the home on top of any solar generation.

Complete with a substantial 13.5kWh useable battery pack. Connect up to 6 systems in parallel, giving 80kWh of useable storage and the ability to deliver 30kW of power into the home. Featuring a modular design for ease of handling and installation.



### Grid Services Ready

Energy suppliers and aggregators are offering payments for end users that can reduce their electrical consumption at certain times.



### Whole House Backup

Whole house backup acts as a UPS in the event of power failure. This allows operation OFF-grid until grid supply is restored.



### Flexible Rate Tariff

Charge the battery off peak where its cleaner, greener and less costly then discharge the battery during peak times for maximum saving.



### Modular Design

Need a larger capacity? Modular design allows for multiple units to be installed in parallel.

# All in One

## AC Coupled | 13.5kWh

### OUTPUT AC

Nominal AC Power	6000W
Peak Power	7.2kW @ 10s, 6.5kW @ 30s
Rated Grid Voltage (AC Voltage Range)	230 (180 to 270)
Rated Grid Frequency	50/60±5Hz
Nominal AC Current	26A
Maximum AC Current	32A
Displacement Power Factor	0.8 Leading to 0.8 Lagging
Number of Parallel Operation	6 (M1-S5) (Coming March)
Total Harmonic Distortion (THDi, Rated Power)	<3%

### BATTERY

Battery Voltage Range	260-346V
Maximum Charge/Discharge Current	25A
Nominal Voltage	307V
Communication Interfaces	CAN
Battery Capacity	13.5kWh
Depth of Discharge	100%

### ENVIRONMENT

Ingress Protection	IP65
Operating Temperature Range	-20 ~+55°C (Derating below 5°C and over +45°C)
Humidity	0~95%
Altitude	4000m (Derating above 2000m)
Noise Emission (Typical)	<30dB

### GENERAL DATA

Weight	150Kg (5 x 30Kg parts)
Display LCD	LED and APP
Cooling Concept	Natural
Topology	Transformerless
Communication	RS485/WiFi/4G/LoRa inside
Connectivity	WiFi, LAN and 4G
Warranty	5 Years



Control devices in your home with ease using the GivEnergy Smart Plug.

The Smart Plug is a new member of the GivEnergy family. Compatible with the GivEnergy App or Amazon Alexa, the Smart Plug is a great addition to your home and GivEnergy eco-system.

Its LED power button allows for control even when disconnected from the internet. This provides easy control of your devices and allows you to check the GivEnergy App's integrated Smart Tariff which will show individual appliance costs.



#### WiFi Remote Control

Connect and Control your Smart Plugs from anywhere in the world.



#### App Controlled

Control your Smart Plug via the GivEnergy App or with Alexa.



#### Load Breakdown

Using multiple Smart Plugs will breakdown the load in your property, so you can see what energy individual appliances are using.



#### Time / Scheduling

Schedule the smart sockets on or off to have certain appliances on during the day.

## Smart Plug

### POWER SPECIFICATION

Input Voltage	230V AC 50Hz - 60Hz
Rated Current	16A Max
Max Power	3680W

### USER INTERFACE AND CONTROL

LED Display	1 LED Indicator (Power)
Connectivity	WiFi
WiFi Requirements	2.4 GHz Only

### ENVIRONMENT

Operating Temperature	-10 to 60°C ambient
-----------------------	---------------------

### GENERAL DATA

Dimensions	57H x 60W x 57D (mm)
Weight	82g
Material	Plastic Casing